

HUMIDITY SEPARATORS Clean Steam Separator S-10 (Stainless steel)

DESCRIPTION

When wet steam is used in sterilization, moisture in suspension reduces the heat transfer's efficiency and validity of the sterilization process can be compromised.

S-10 series centrifugal separators remove moisture from steam pipelines. Steam passing through the separator and as a result of centrifugal forces, impact and swirling effects, separate the particles with a heavier specific gravity, such as water droplets and moisture in suspension.

The condensate collected at the bottom of the separator, must be automatically drained by a suitable steam trap.

MAIN FEATURES

- 316L stainless steel construction
- Several possibilities of installation.
- No moving parts.
- Self draining design

STANDARD SURFACE FINISH

- Internal parts: 0,5 microns Ra *
- External : Satin bead blast finish – 1,6 microns Ra
- *Welds left as laid
- Mechanical polished as option

OPTIONS: Vent connection
Split body design

USE: Steam, compressed air and other gases (Group 2).

AVAILABLE MODELS: S10, S10HV and S10VH

SIZES: DN1/2", 3/4", 1", 1 1/2" and 2"

PIPE CONNECTIONS: Clamp ends or others on request

INSTALLATION: Always with the condensate discharge pointing downwards.

HOW TO SELECT: Generally, in an existing plant it is advisable to fit a separator of the same size of the pipe line. Pressure drop is normally negligible. For approximate pressure drop calculation please consult.



LIMITING CONDITIONS

Rating	Press. bar	Temp. °C
PN10	10	50
	8 *	175
	7,4	200

*PMO-Max. operating pressure for saturated steam.
Minimum operating temp.: -10°C.
Design code: AD-Merkblatt

CE MARKING - GROUP 2 GASES CAT.

RATING	SIZE	CAT.
PN10	DN1/2" to DN2"	SEP

CE Marking

This product has been designed for use on water, steam, air and other gases which are in Group 2 of the PED-European Pressure Equipment Directive 97/23/EC and it complies with those requirements. The product carries the CE mark when falling in category 1 and above.

APPROXIMATE DIMENSIONS (mm)										
SIZE DN	A	B	C	D	E	J	F	H*	VOL. dm3	WGT Kg
1/2"	210	114	307	195	110	105	1"	1/2"	2,39	1,7
3/4"	210	114	307	195	110	105	1"	1/2"	2,42	1,7
1"	210	114	320	210	110	105	1"	1/2"	2,45	1,9
1 1/2"	240	141	380	235	145	120	1"	1/2"	4,64	3,7
2"	240	141	380	235	145	120	1"	1/2"	4,81	3,9

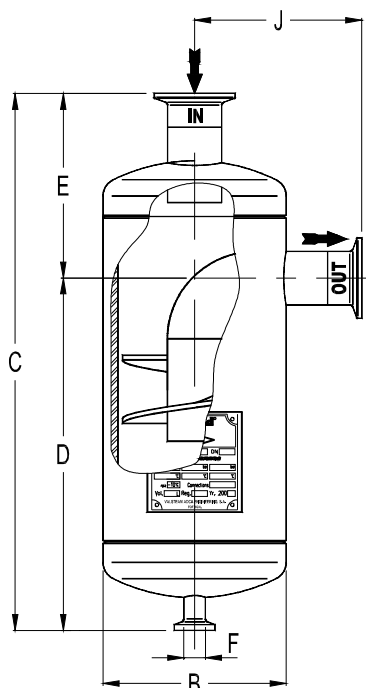
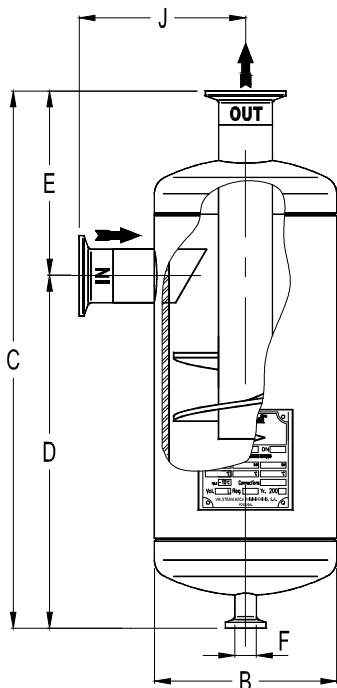
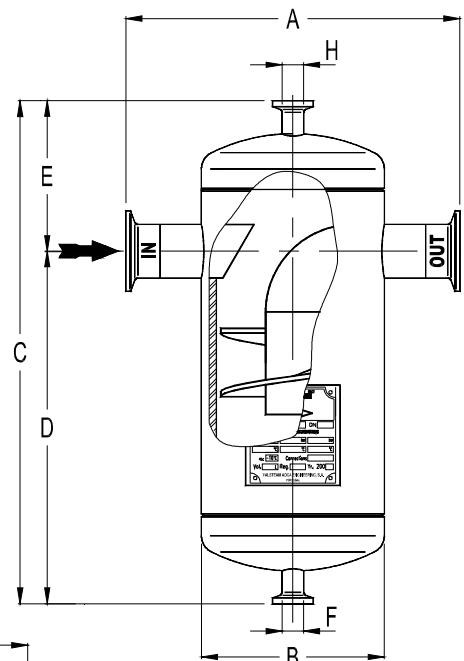
Consult factory for certified dimensions. Dimensions subject to change without notice.

* Vent connection as optional.

Note: Baffle design can be produced on request with shorter face to face dimensions.

MATERIALS	
DESIGNATION	MATERIAL
Body	AISI 316L / 1.4404
Heads	AISI 316 L / 1.4404
Inlet / Outlet pipes	AISI 316L / 1.4405
Ferrule	AISI 316 L / 1.4405
Internals	AISI 316L / 1.4404

EN10204 3.1 certificate available if requested with the order.



S10-HV – Horizontal inlet/vertical outlet

S10VH – Vertical inlet/horizontal outlet