

INVERTED BUCKET STEAM TRAPS IB30S (Carbon steel / stainless steel) IB30SS (All stainless steel)

DESCRIPTION

IB30 series inverted bucket steam traps are recommended for all services where the most important requirements are overall operating efficiency and long, trouble-free service life. They operate intermittently, either wide open or tightly closed and are therefore best suited for service at medium and high steam pressures.

Connections are female screwed or flanged.

MAIN FEATURES

Intermittent discharge.

Discharges condensate at steam temperature.

Unaffected by water-hammer and vibrations.

Easy to maintain.

OPTIONS: Anti-freeze device

USE: Saturated and superheated steam.

AVAILABLE

MODELS: IB30S and IB30SS

SIZES: IB30S - DN ½"-DN1"; DN15-DN25

IB30SS - DN ½"-DN3/4"; DN15-DN20

CONNECTIONS: Female screwed ISO7/1 Rp (BS21)

Flanged EN 1092-1 PN40 or ANSI

INSTALLATION: Horizontal installation

See IMI installation and maintenance instructions.



BODY LIMITING CONDITIONS				
IB30S		IB30SS		RELATED TEMP.
FLANGED PN 40 / ANSI 300 *	FLANGED ANSI 150 **	FLANGED PN 40 / ANSI 300 *	FLANGED ANSI 150 **	
ALLOW. PRES.	ALLOW. PRES.	ALLOW. PRES.	ALLOW. PRES.	
37,1 bar	15,4 bar	40 bar	16 bar	100 °C
33,3 bar	13,8 bar	33,7 bar	13,6 bar	200 °C
25,7 bar	8,4 bar	28,5 bar	8,4 bar	350 °C
23,8 bar	6,5 bar	27,4 bar	6,5 bar	400 °C

PMO - Max. operating pressure 27 bar ; TMO - Max. operating temperature 380 °C

* According to EN1092-1:2007 ; ** Acc. to EN1759-1:2004

Body limiting conditions PN40 or below, depending on the type of connection adopted. Rating PN40 for thread, SW and BW.

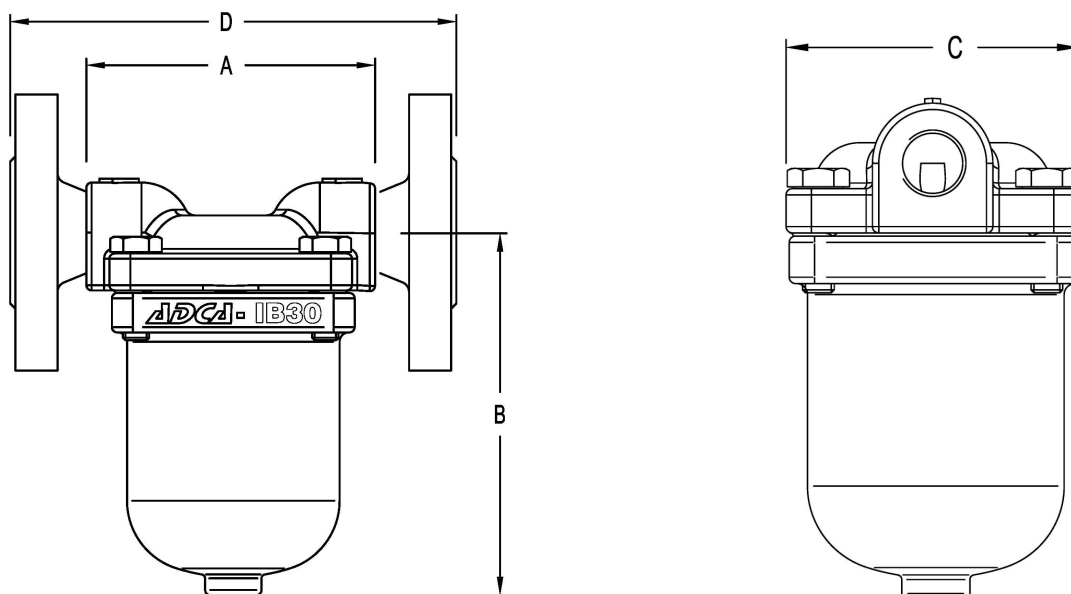
MAX. DIFFERENTIAL PRESSURE

IB30S-4 – IB30SS-4 : 4 bar

IB30S-8 – IB30SS-8 : 8 bar

IB30S-12 – IB30SS-12: 12 bar

FLOW RATE CAPACITY IN Kgs/h												
MODEL	SIZE	DIFFERENTIAL PRESSURE (bar)										
		1	2	3	4	5	6	7	8	10	11	12
IB30-4	15 - 25	280	390	470	530							
IB30-8	15 - 25	190	260	320	360	400	430	460	500			
IB30-12	15 - 25	160	220	260	290	320	360	370	400	440	480	490



DIMENSIONS (mm)										
Screwed and SW*					EN PN16/40		ANSI 150		ANSI 300	
SIZE DN	A	B	C	WGT. Kgs	D	WGT. Kgs	D	WGT. Kgs	D	WGT. Kgs
15-1/2"	110	125	92	2,3	170	3,8	170	3,3	170	4,1
20-3/4"	110	125	92	2,3	170	4,3	170	3,7	170	5,3
25-1"	110	125	92	2,3	180	4,9	180	4,5	180	6,1

* BW (butt weld) on request.

MATERIALS				
POS.Nr.	DESIGNATION	IB30S	IB30SS	
1	Body	P250GH / 1.0460	CF8M / 1.4408	
2	Cover	CF8M / 1.4408	CF8M / 1.4408	
3	*Gasket	Graphite	Graphite	
4	*Seat	AISI 410 / 1.4006	AISI 410 / 1.4006	
5	*Valve	AISI 410 / 1.4006	AISI 410 / 1.4006	
6	*Lever	AISI 304 / 1.4301	AISI 304 / 1.4301	
7	*Bucket	AISI 304 / 1.4301	AISI 304 / 1.4301	
8	Inlet tube	AISI 304 / 1.4301	AISI 304 / 1.4301	
9	Bolts	A2 - 70	A2 - 70	
10	**Anti-freeze device	AISI 304 / 1.4301	AISI 304 / 1.4301	

* Available spare parts

**Optional

